

aquatica®

Function : Form : Fashion



*Celine-S-226*  
7" Sink Faucet

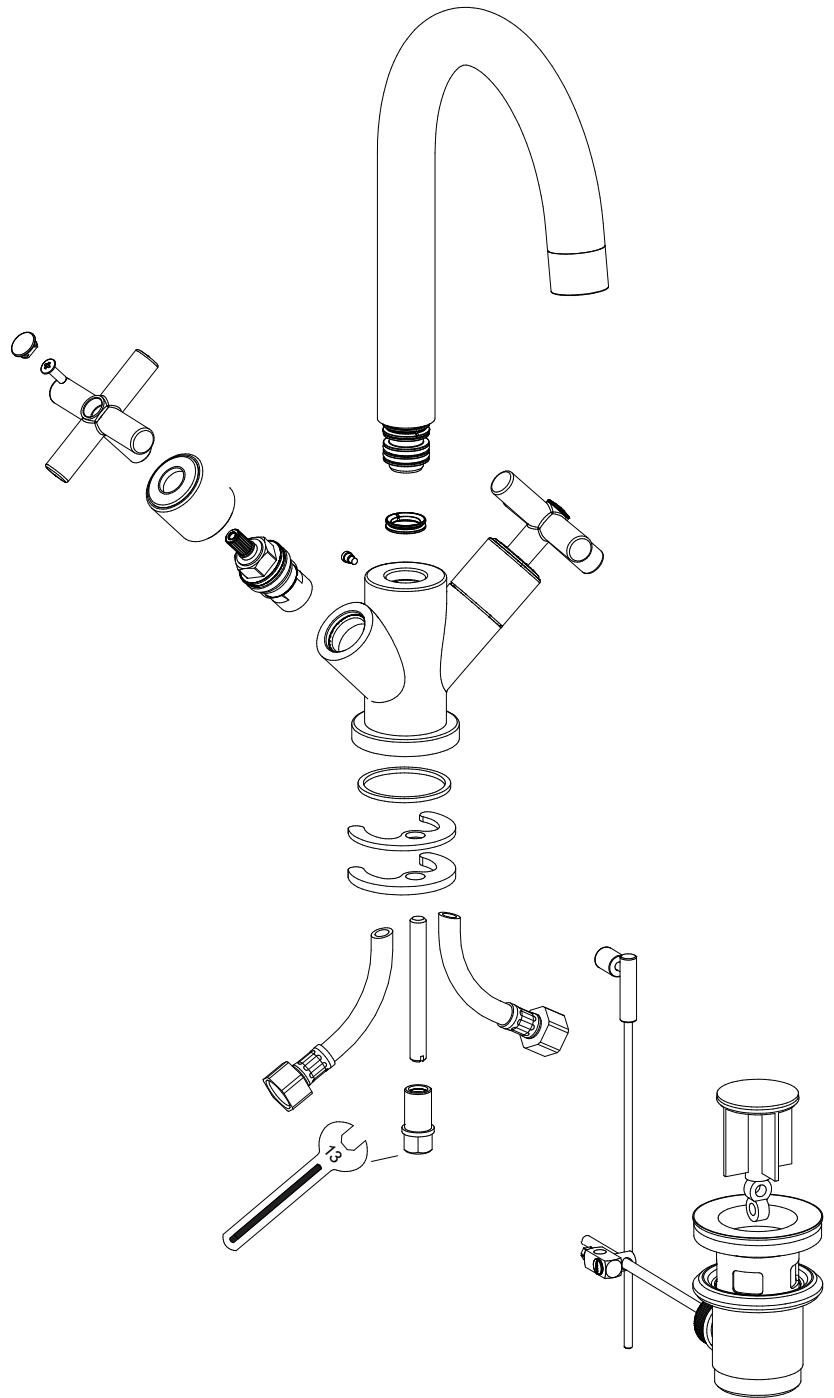
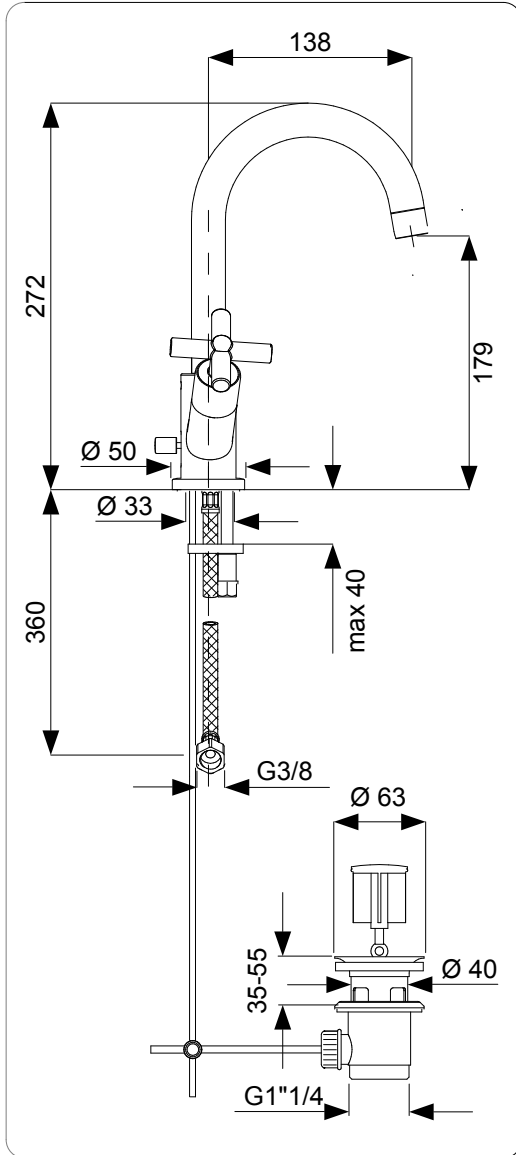
Installation & Care Manual  
Europe / International

# Celine-S-226

## 7" Sink Faucet

### PARTS LIST

 MEASUREMENTS: mm

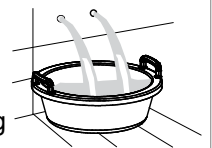


### SPECIFICATIONS

|                                                      |              |
|------------------------------------------------------|--------------|
| Recommended operational pressure .....               | 1-5 bar      |
| Maximum test pressure .....                          | 16 bar       |
| Maximum hot water temperature .....                  | 80 °C        |
| Recommended temperature .....                        | 50-60 °C     |
| Pressure difference between hot and cold water ..... | max. 1,5 bar |
| Water flow rate .....                                | 8 L/min      |

### IMPORTANT NOTE

- Installation to be performed by qualified personnel
- Before connecting to mains, bleed the pipes to avoid damage.



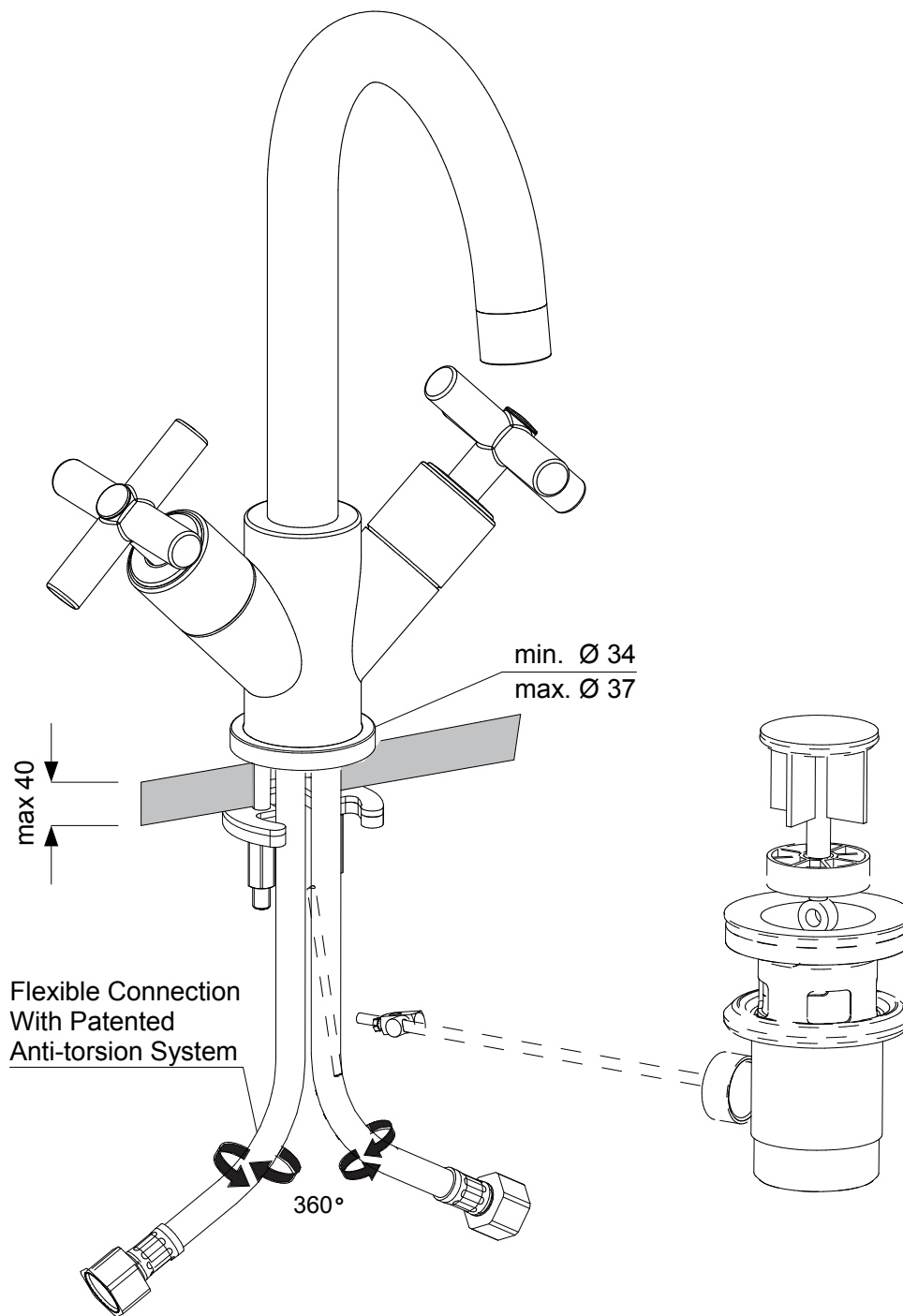
# Celine-S-226

## 7" Sink Faucet

### INSTALLATION SEQUENCE

# aquatica®

Function : Form : Fashion



### CLEANING TIPS



For a **correct cleaning** of the product use only water and neutral soap, rinse and dry with a soft cloth. Don't use alcohol, solvents, detergents containing corrosive or acid substances (hydrochloric, formic, acetic and phosphoric acid), abrasive sponges and plugs with metallic thread.

# aquatica®

Function : Form : Fashion

aquatica®

Function : Form : Fashion

